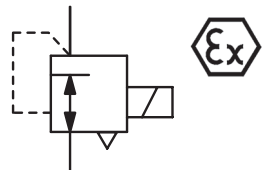


| | |
|-----------------------------|--|
| Description | The proportional valve translates a direct current or voltage signal into a linear proportional pneumatic outlet signal. With rapid response controls using low-powered piezo microelectronics, flapper nozzle and solid state control circuit. The proportional valve has internal electronic with an electrical feedback sensor and is housed in NEMA4X (IP65) enclosure with six outlet ranges, jumper selectable. Input and outlet ports on both ends of the body simplify pneumatic piping. |
| Media | 5 µm filtered compressed air or non-corrosive gases |
| Supply voltage | 7...30 V DC, 90 mW, required for 0...10 V setpoint input only, with reverse voltage protection |
| Electrical connector | plug according to DIN 43650A, contact gap 18 mm, 3-pin, with coupling socket 30 x 30 mm |
| Command signal | 0...10 V / 10 kΩ, 3-pin, 24 V DC supply voltage, 4...20 mA / 330 Ω, two-wire, min. 7 V DC on input |
| Failsafe | exhaust at power breakdown |
| Linearity | < 0.25% FS |
| Hysteresis | < 0.1% FS at 0.2...0.5 bar, otherwise < 0.25% FS |
| Adjustment | Zero point: by 0.3 bar Range: 40% FS |
| Temperature range | -40 °C to 70 °C / -40 °F to 158 °F |
| Material | Body: chromated aluminium Nozzle: sapphire in nickel-plated brass plate Elastomer: NBR/Buna-N Inner valve: stainless steel, brass, zinc-plated steel |



accurate to 0.25%
piezo-controlled

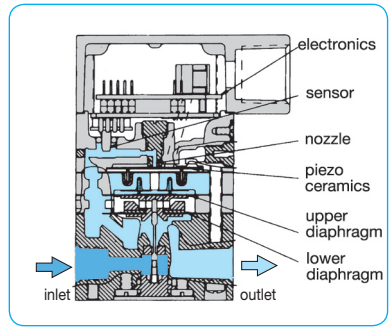
| Dimensions | | | Flow rate | Supply pressure | Command signal | Pressure range | Order number |
|------------|---|---|-----------|-----------------|----------------|----------------|--------------|
| A | B | C | l/min*1 | max. bar | V/mA | bar | |

| Prop. pressure regulator 0...10 V | | | | | | | ¼" NPT, air consumption 2...8 l/min subject to pressure range | PT780 |
|-----------------------------------|-----|----|-----|----|----------|---------|---|-------|
| 57 | 95 | 13 | 250 | 8 | 0...10 V | 0.2...1 | PT780-B100 | |
| | | | | | | 0.2...2 | PT780-B200 | |
| 57 | 133 | 13 | 300 | 10 | 0...10 V | 0...2 | PT780-0200 | |
| | | | | | | 0...4 | PT780-0400 | |
| | | | | | | 0...8 | PT780-0800 | |



PT78.-0.

| Prop. pressure regulator 4...20 mA | | | | | | | ¼" NPT, air consumption 2...8 l/min subject to pressure range | PT782 |
|------------------------------------|-----|----|-----|----|-----------|---------|---|-------|
| 57 | 95 | 13 | 250 | 8 | 4...20 mA | 0.2...1 | PT782-B100 | |
| | | | | | | 0.2...2 | PT782-B200 | |
| 57 | 133 | 13 | 300 | 10 | 4...20 mA | 0...2 | PT782-0200 | |
| | | | | | | 0...4 | PT782-0400 | |
| | | | | | | 0...8 | PT782-0800 | |



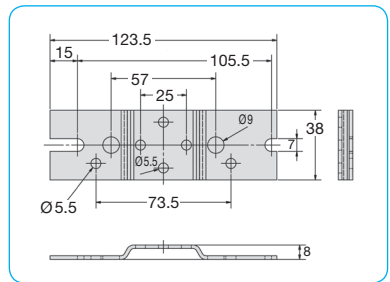
cross section

Special options, add the appropriate letter

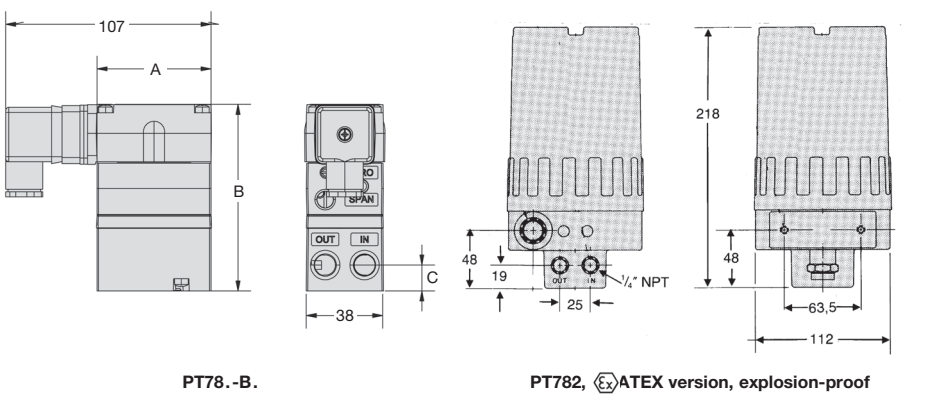
| | | | |
|----------------|---|---------------------------|-------------|
| ⊕ ATEX version | intrinsically safe: ATEX II 1G Ex ia IIB T4 | only 4...20 mA | PT782-...01 |
| ⊕ ATEX version | explosion-proof: ATEX ds IIC T6 | max. 2 bar only 4...20 mA | PT782-...0E |

Accessories, enclosed

| | | |
|----------------------------|--|----------------|
| mounting bracket | made of steel, for standard version for DIN rail | SA-PT1 |
| | for ⊕ ATEX version, explosion-proof | SA-PT2 |
| | | SA-PT3 |
| isolate transmitter | Ex ia II C E/A: 0...20 mA, 24 V DC, EX 1-32 | KFD2-CD |



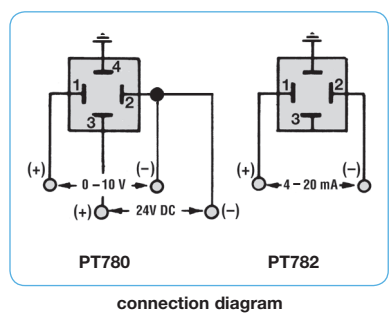
SA-PT1



PT78.-B.

PT782, ⊕ ATEX version, explosion-proof

*1 at 7 bar supply pressure and 1.4 bar outlet pressure



connection diagram

